

SEGNO SOFA

Design · *pininfarina*



Model **B** 3 seats



Model **A**

1

2

3

STRUTTURA STRUCTURE | 1

Legno imbottito rivestito in
Padded wood upholstery in:

Tessuto
Fabric



MATERIAL SHEET- **A**

Super
Extra
Luxury

Pelle
Leather



MATERIAL SHEET- **B**

CAT C
Nabuk
Colorata

CUSCINI DI SEDUTA E SCHIENALE | 2

Rivestito in
Upholstery in:

Tessuto
Fabric



MATERIAL SHEET- **A**

Super
Extra
Luxury

Pelle
Leather



MATERIAL SHEET- **B**

CAT C
Nabuk
Colorata

PIEDINI FEET | 3

Metallo
Metal



100M Bronze
100M Bronze

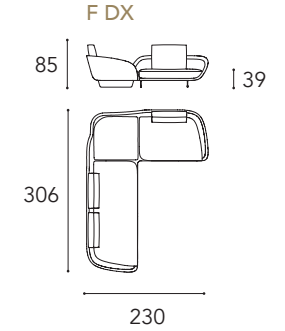
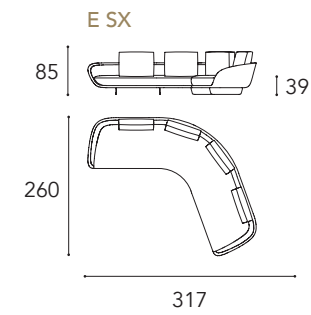
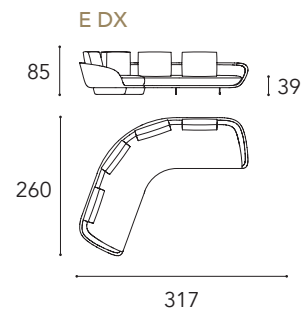
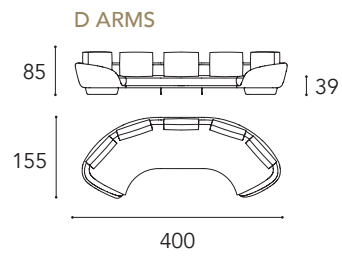
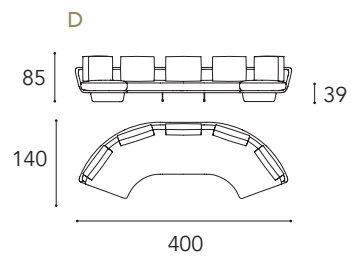
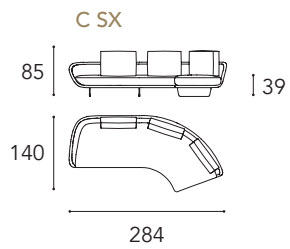
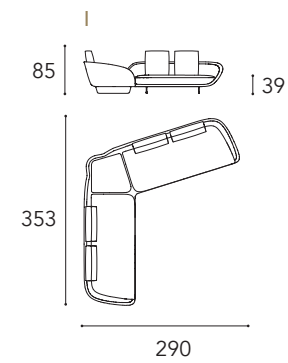
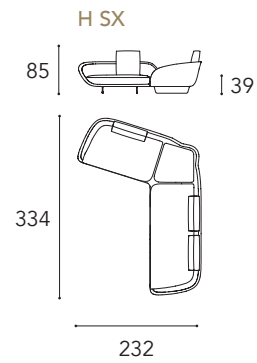
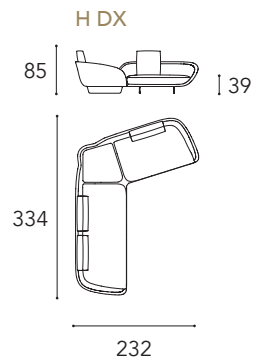
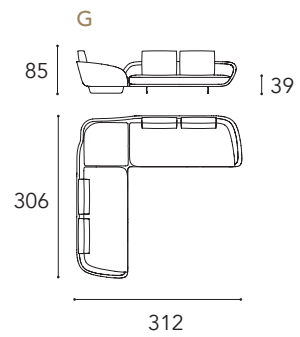
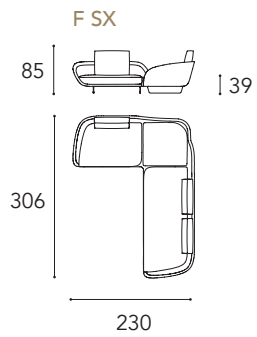
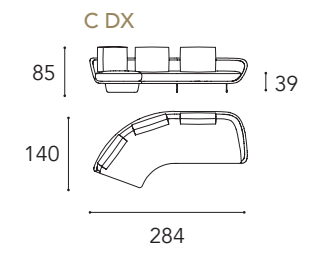
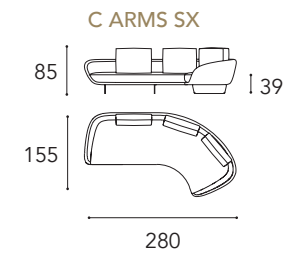
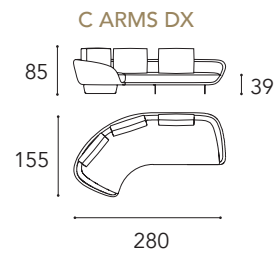
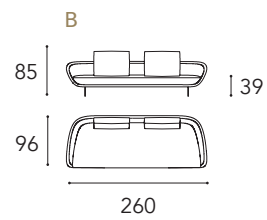
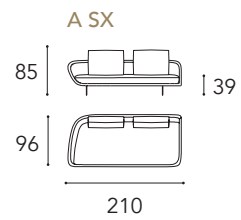
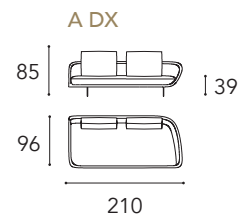
104M Ottone satinato
104M Satin Brass

finitura/finish

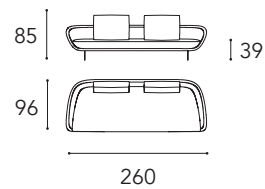


105M Ottone Dark sat
105M Satin Dark Brass

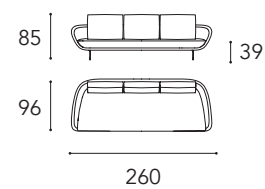
101M Titanium satinato
101M Satin Titanium



B - STANDARD CUSHIONS



B - SMALL CUSHIONS



* PER OGNI MODELLO POSSIBILITÀ DI AVERE I CUSCINI DI SCHIENALE/
 FOR EACH MODEL IT IS POSSIBLE TO HAVE THE BACK CUSHIONS
 SMALL (L 55 X 45)